

**NOTE**

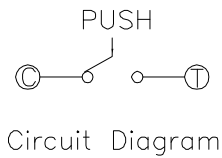
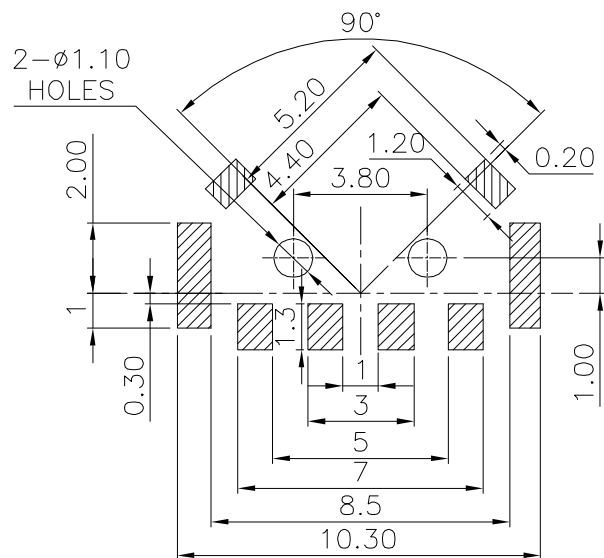
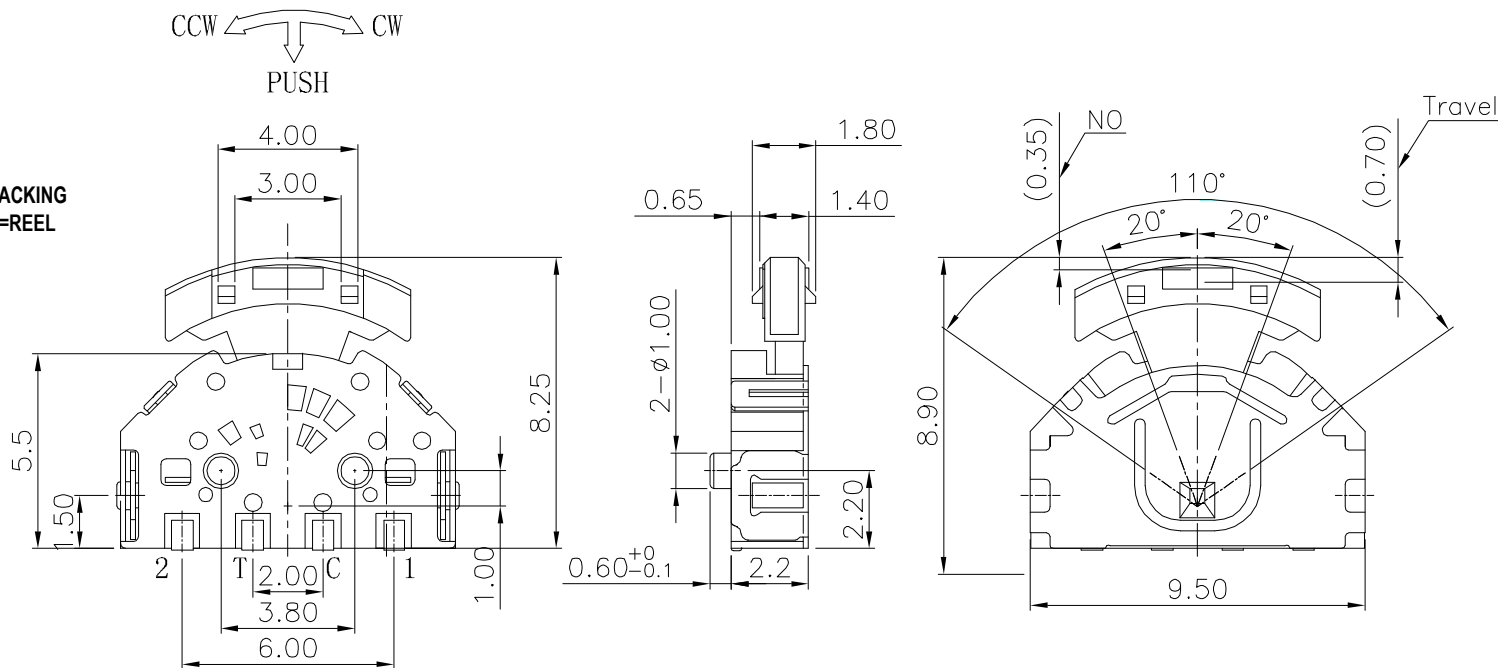
1. RATING : DC 5V 10mA
2. CONTACT RESISTANCE : 100mΩMAX
3. GENERAL TOLERANCE : +/- 0.2 mm
4. MANUFACTURING SPECIFICATION  
WOULD BE ACCORDANCE WITH WT0158
5. PART NO.(P/N.):

MFS3104A1ME - 022 R - R

3 Directions  
Jog Dial SMD

PACKING  
R=REEL

RevNo	Revision note	Date	Signature



0° (▨=NO)

TER	ANG.	(20°)	(15°)	(15°)	(20°)
①		▨			
②					▨
③		▨	▨	▨	▨

CCW ← → CW

CODE TABLE

Operating Force:  
 lever portion 70 ± 40 gf  
 Push portion 250 ± 40 gf  
 Travel: -25° 0° +25° Pushportion 0.7±0.1mm

P.C.B Mounting  
Pattern Dimension

Designed by	L.Y.D		<b>CHAMPWAY</b> 冠泰電子有限公司 CHAMPWAY ELECTRONICS CO., LTD.		
Checked by			Unit	Scale	Date
Approved by		mm	1/1	2011.10.14	
Item	Multi-Function Switch	Tool	Sheet	Rev.	
Model	3 Directions Jog Dial	A-Cad	1/1	0	
Drawing name		MFS3104A1ME-022R-R			